

## DESCRIPTION

Fireguard branchpipe's are lever-operated fire nozzles manufactured in light alloy to achieve a robust, durable fire branch that remains extremely light and maneuverable for ease of use. The selection between Jet and Spray and On / Off modes is easily achieved by adjusting the lever arm accordingly. This simple to use system allows for complete control by the operator to adjust his water flow to suit the individual application required.

## FEATURE

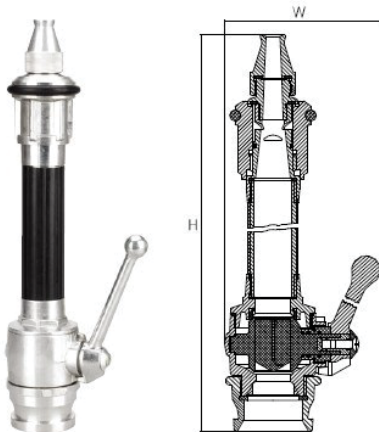
- Multi Purpose
- Extremely Reliable
- Low Maintenance

## SPECIFICATION

- Flow Control : Jet and Spray
- Working Pressure : 16 Bar
- Test Pressure : 34 Bar
- Inlet Connection : BS336



### Jet/Spray Branchpipe with Water Curtain



FG07-131A-00

Size	H(mm)	W(mm)	Inlet	Outlet
DN50	405	165	G 2"	9mm
CMM	440	165	Storz-C	9mm
DN65	440	165	BS336	12.5mm

MODEL	DESCRIPTION
FG07-131A-00	BRANCHPIPE

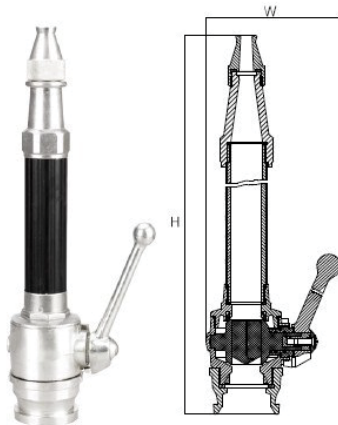
### Jet/Spray Branchpipe



FG07-131B-00

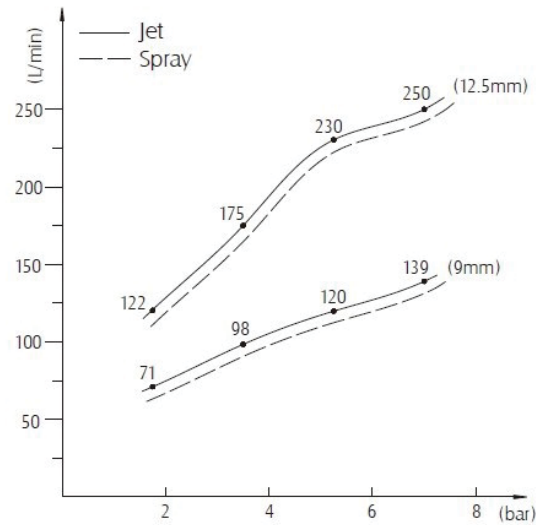
Size	H(mm)	W(mm)	Inlet	Outlet
DN50	407	165	G 2"	9mm
CM	440	165	Storz-C	9mm
DN65	440	165	BS336	12.5mm

MODEL	DESCRIPTION
FG07-131B-00	BRANCHPIPE

**Jet/Spray Branchpipe**

**FG07-131C-00**

Size	H(mm)	W(mm)	Inlet	Outlet
DN50	390	165	G 2"	9mm
CMM	415	165	Storz-C	9mm
DN65	415	165	BS336	12.5mm

MODEL	DESCRIPTION
FG07-131C-00	BRANCHPIPE



Standard: Certificate to BS 336  
 Licence No: KM 612237 BSI Approved  
 Aluminium alloy to BS 1490  
 Ball valve control  
 Water curtain angle  $\geq 180^\circ$

**APPLICATION**

- Fire and Rescue Services
- Marine Industry (On and Off Shore)
- Civil Defense
- Aviation Industry
- Petrochemical Installations
- Major Industrial Users

**KEY FACTS**

- Independent Water Curtain
- Gunmetal Construction
- Lever Operated Jet/Spray
- Compatible with all International Adapters
- Low Maintenance